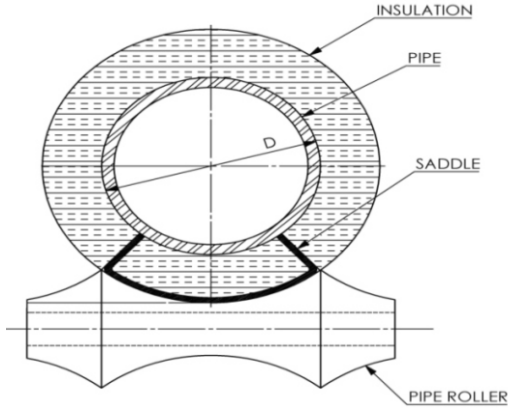




PIPE INSULATION SADDLE



FEATURES AND BENEFITS.

Description:-	<ul style="list-style-type: none"> * Recommended to be used with insulated pipes * Protects the pipe insulation over pipes lines * Length : 300 mm
Material:-	Steel
Special:-	<ul style="list-style-type: none"> * Electro galvanized as per ASTM B 633 * Galvanized as per ASTM A 123 / A 123M * Designed to meet MSS Standard SP-58, and SP-69 (Type 39 and 39B)

Product Code	Nominal Pipe Size		Pipe OD (mm)	Insulation (mm)	Max Load (N)
	Inch	mm			
VTEPPIS034-25	1"	DN 25	33.4	25	3500
VTEPPIS034-50	1"	DN 25	33.4	50	3500
VTEPPIS042-25	1 1/4"	DN 32	42.2	25	3500
VTEPPIS042-50	1 1/4"	DN 32	42.2	50	3500
VTEPPIS048-25	1 1/2"	DN 40	48.3	25	3500
VTEPPIS048-50	1 1/2"	DN 40	48.3	50	3500
VTEPPIS060-25	2"	DN 50	60.3	25	3500
VTEPPIS060-50	2"	DN 50	60.3	50	3500
VTEPPIS060-75	2"	DN 50	60.3	75	3500
VTEPPIS073-25	2 1/2"	DN 65	73	25	6000
VTEPPIS073-50	2 1/2"	DN 65	73	50	6000
VTEPPIS073-75	2 1/2"	DN 65	73	75	6000
VTEPPIS089-25	3"	DN 80	88.9	25	6000
VTEPPIS089-50	3"	DN 80	88.9	50	6000
VTEPPIS089-75	3"	DN 80	88.9	75	6000
VTEPPIS114-25	4"	DN 100	114.3	25	6000
VTEPPIS114-50	4"	DN 100	114.3	50	6000
VTEPPIS114-75	4"	DN 100	114.3	75	6000
VTEPPIS141-25	5"	DN 125	141.3	25	9500
VTEPPIS141-50	5"	DN 125	141.3	50	9500
VTEPPIS141-75	5"	DN 125	141.3	75	9500
VTEPPIS168-25	6"	DN 150	168.3	25	9500
VTEPPIS168-50	6"	DN 150	168.3	50	9500
VTEPPIS168-75	6"	DN 150	168.3	75	9500
VTEPPIS219-25	8"	DN 200	219.1	25	9500
VTEPPIS219-50	8"	DN 200	219.1	50	9500
VTEPPIS219-75	8"	DN 200	219.1	75	9500
VTEPPIS273-25	10"	DN 250	273.1	25	12500
VTEPPIS273-50	10"	DN 250	273.1	50	12500
VTEPPIS273-75	10"	DN 250	273.1	75	12500
VTEPPIS323-25	12"	DN 300	323.6	25	12500
VTEPPIS323-50	12"	DN 300	323.6	50	12500
VTEPPIS323-75	12"	DN 300	323.6	75	12500

Product Code	Nominal Pipe Size		Pipe OD (mm)	Insulation (mm)	Max Load (N)
	Inch	mm			
VTEPPIS356-25	14"	DN 350	355.6	25	29000
VTEPPIS356-50	14"	DN 350	355.6	50	29000
VTEPPIS356-75	14"	DN 350	355.6	75	29000
VTEPPIS400-50	16"	DN 406	406.4	50	29000
VTEPPIS400-75	16"	DN 406	406.4	75	29000
VTEPPIS457-50	18"	DN 450	457.2	50	29000
VTEPPIS457-75	18"	DN 450	457.2	75	29000
VTEPPIS508-50	20"	DN 500	508	50	29000
VTEPPIS508-75	20"	DN 500	508	75	29000
VTEPPIS610-50	24"	DN 600	609.6	50	45000
VTEPPIS610-75	24"	DN 600	609.6	75	45000
VTEPPIS762-50	30"	DN 750	762	50	45000
VTEPPIS762-75	30"	DN 750	762	75	45000

NOTE:- 1. OTHER DIMENSIONS AVAILABLE ON REQUEST.
 2. a. EP - MICRONS : 8μ - 15μ
 b. HDG - MICRONS : 70μ - 95μ

