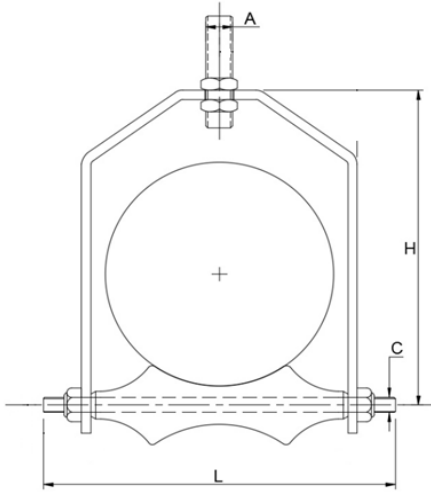




ADJUSTABLE ROLLER HANGER



FEATURES AND BENEFITS.

| | |
|----------------------|---|
| Description:- | <ul style="list-style-type: none"> * For support of pipe where horizontal movement due to expansion and contraction may occur. * Vertical adjustment up to 6" is possible. |
| Material:- | Bracket : Steel Roller : Solid steel shaft |
| Special:- | <ul style="list-style-type: none"> * Electro galvanized as per ASTM B 633. * Galvanized as per ASTM A 123 / A 123M. * Designed to meet MSS Standard SP-58-2002, type 43 and SP-69. |

| Product Code | Nominal Pipe Size | | Pipe OD (D) mm | Dimensions (mm) | | | Max Load (N) |
|--------------|-------------------|-------|----------------|-----------------|-----------|-----|--------------|
| | In. | mm | | A | CXL | H | |
| VTEPARH060 | 2" | DN50 | 60.3 | M12 | M12 X 115 | 105 | 2100 |
| VTEPARH073 | 2½" | DN65 | 73 | M12 | M12 X 125 | 125 | 2100 |
| VTEPARH090 | 3" | DN80 | 88.9 | M12 | M12 X 145 | 140 | 2100 |
| VTEPARH101 | 2½" | DN90 | 101.6 | M16 | M12 X 160 | 155 | 2100 |
| VTEPARH114 | 4" | DN100 | 114.3 | M16 | M12 X 175 | 170 | 2900 |
| VTEPARH141 | 5" | DN125 | 141.3 | M20 | M12 X 200 | 200 | 5500 |
| VTEPARH168 | 6" | DN150 | 168.3 | M20 | M20 X 245 | 230 | 5500 |
| VTEPARH219 | 8" | DN200 | 219.1 | M20 | M24 X 305 | 290 | 6000 |
| VTEPARH273 | 10" | DN250 | 273 | M24 | M24 X 365 | 350 | 6000 |
| VTEPARH323 | 12" | DN300 | 323.8 | M24 | M24 X 425 | 400 | 7500 |
| VTEPARH356 | 14" | DN350 | 355.6 | M24 | M24 X 460 | 445 | 7500 |
| VTEPARH406 | 16" | DN400 | 406.4 | M24 | M24 X 515 | 500 | 7500 |
| VTEPARH457 | 18" | DN450 | 457.2 | M30 | M33 X 580 | 555 | 7500 |
| VTEPARH508 | 20" | DN500 | 508.2 | M30 | M33 X 630 | 610 | 9000 |
| VTEPARH610 | 24" | DN600 | 609.6 | M30 | M52 X 780 | 725 | 11000 |
| VTEPARH661 | 26" | DN650 | 661 | M36 | M52 X 845 | 785 | 11000 |
| VTEPARH712 | 28" | DN700 | 712 | M36 | M52 X 895 | 840 | 11000 |
| VTEPARH755 | 30" | DN750 | 755 | M36 | M52 X 940 | 885 | 11000 |

- NOTE:-**
1. OTHER DIMENSIONS AVAILABLE ON REQUEST.
 2. a. EP - MICRONS : 8μ - 15μ
b. HDG - MICRONS : 70μ - 95μ

