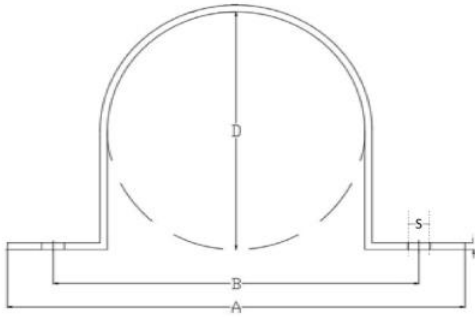




U STRAP FOR RSI19 MM INSULATION THICKNESS



FEATURES AND BENEFITS.

- | | |
|----------------------|--|
| Description:- | <ul style="list-style-type: none"> * For mounting plain or insulated pipes. * Can be used with Rubber Support Inserts. * Slotted hole same as used u strap. |
| Material:- | Steel, other materials on request. |
| Special:- | <ul style="list-style-type: none"> * Galvanized as per ASTM A 123 / A 123M. * Designed to meet MSS Standard SP-58, type 26 and SP-69. |

Product Code	RSI Size	RSI OD mm	U Strap Size mm	Overall Dimension (A) mm	Distance Between Two Bolt (B) mm	Hole Size (S) mm	Max Load (N)	Microns (μ)	Box Quantity
VTUS064	¾" X 19 mm	64.7	64	114	89	11	6000	70 - 95	200
VTUS072	1" X 19 mm	71.4	72	122	97	11	6000	8-15	200
VTUS080	1 ¼" X 19 mm	80.1	80	130	105	11	6000	8-15	150
VTUS086	1 ½" X 19 mm	86.2	86	136	111	11	6000	8-15	150
VTUS98	2" X 19 mm	98.3	98	148	123	11	6000	8-15	150
VTUS111	2 ½" X 19 mm	111	111	161	136	11	6000	8-15	150
VTUS127	3" X 19 mm	126.9	127	177	152	11	6000	8-15	125
VTUS139	3 ½" X 19 mm	139	139	189	164	11	6000	8-15	100
VTUS152	4" X 19 mm	152	152	202	177	11	8000	8-15	75
VTUS179	5" X 19 mm	179	179	239	209	11	8000	8-15	75
VTUS206	6" X 19 mm	206.3	206	266	236	11	8000	8-15	50
VTUS257	8" X 19 mm	257.1	257	317	287	11	12500	8-15	50
VTUS311	10" X 19 mm	311.1	311	381	346	13	12500	8-15	5
VTUS361	12" X 19 mm	361	361	431	396	13	18000	70 - 95	5

NOTE:- 1. OTHER DIMENSIONS AVAILABLE ON REQUEST.

