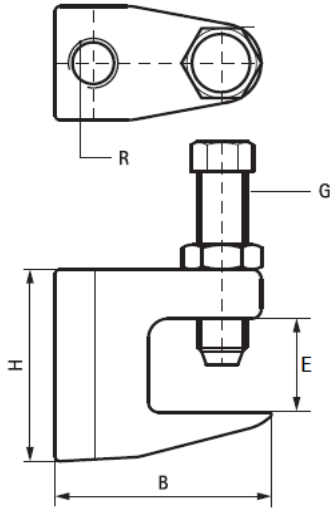




BEAM CLAMP



FEATURES AND BENEFITS.

Description:-	<ul style="list-style-type: none"> * For sprinkler systems, heating, ventilation and air conditioning, acoustic tubes and sanitary installations. * Hexagon threaded head screw DIN938. * Threaded with Cup Point (RS) according to EN ISO 4753 and lock nut. * For a solid fixing to steel connections up to 22mm flange thickness without welding or drilling.
Material:-	Malleable Iron, ASTM A47 Grade 32510
Special:-	* Electro galvanized casting tolerance according to DIN 1684

Product Code	Size (G)	Rod ®	B mm	E mm	Height (H) mm	Max Load (N)	Microns (µ)	Box Quantity
Metric Size								
VTEPBM08	M8	M8	50	21	45	1200	8 - 15	100
VTEPBM10	M10	M10	50	21	47	2500	8 - 15	80
VTEPBM12	M12	M12	58	25	53	3500	8 - 15	75
VTEPBM16	M16	M16	58	27	58	5500	8 - 15	60
Imperial Size								
VTEPBM516	5/16"	5/16"	1.88	0.75	1.56	1200	8 - 15	100
VTEPBM38	3/8"	3/8"	1.88	0.75	1.56	2500	8 - 15	80
VTEPBM012	1/2"	1/2"	2.06	0.75	1.63	3500	8 - 15	75
VTEPBM58	5/8"	5/8"	2.19	0.75	1.75	5500	8 - 15	60
VTEPBM34	3/4"	3/4"	2.38	0.75	1.75	7500	8 - 15	50